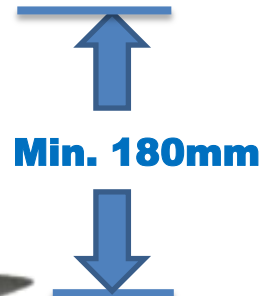
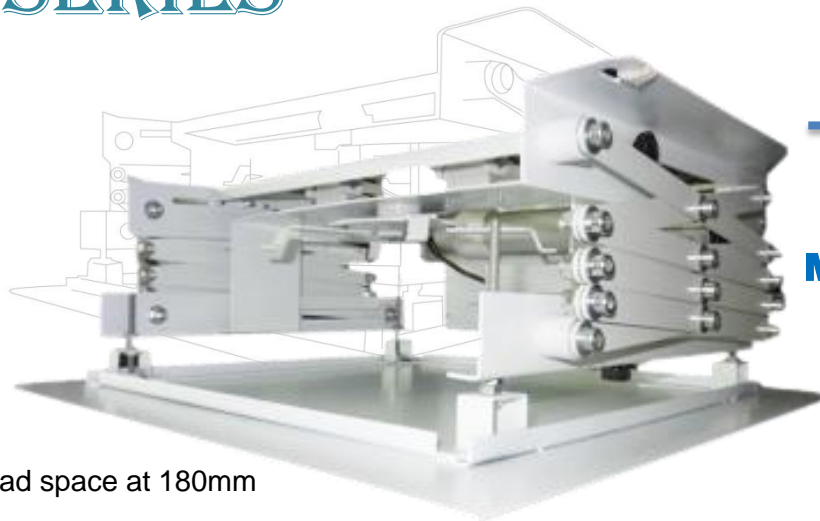


PROJECTOR LIFT

CPL SERIES



Slim

Minimum Bulkhead space at 180mm only

Silent

Driven by Synchronous Motor

Total Control

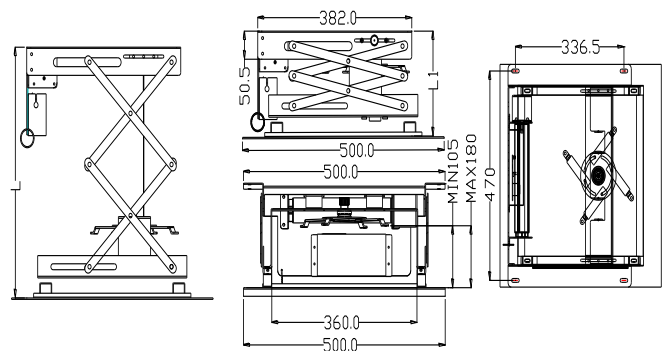
RF remote control, plus Central Control and 12V trigger.

Safe

Emergency stop to isolate all input signal for safety maintenance

Adjustable

Come with universal joint projector mount for angle adjustment



Model	CPL640	CPL860
Min. Size of lift(Fold up),mm	500x500x170(L1)	500x500x190(L1)
Max. Size of lift(Extended),mm	500x500x810(L)	500x500x1050(L)
Maximum Travel, mm	640mm	860mm
Travel Duration, sec	22s	33s
Minimum distance for decor ceiling, mm	170mm	190mm
Maximum Projector Dimension, mm	360 x 336 x 180mm	
Bottom Plate size, mm	500x500	
Maximum Loading Capacity, kg	12 kg	
Rated voltage, V	220-240V	
Power consumption, W	60W	
Overload Protection	Fuse	
Motor	SYNCHRONOUS MOTOR	
Control Method	RF/Central Control/12V Trigger/panel	
Limit Adjustment	By Limit Switch	
Safety Protection	Emergency Stop Button	
Tilt	±20°	
Roll	±20°	
Color	White	
Packing Dimension, mm	572x585x244.5mm	572x585x244.5mm
Net Weight, kg	14.0 kg	14.3 kg
Gross Weight, kg	15.5 kg	15.8 kg