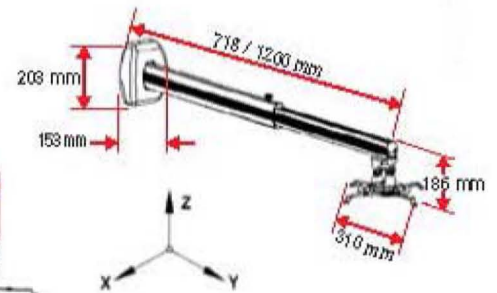
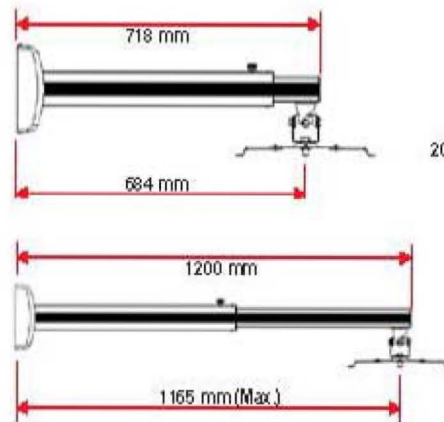




## AST1200

### Aluminum Short Throw Projector Mount

- Lightweight
- Cables can be simply hidden in the pole
- Elegant appearance
- Adjustable arm length (for AST1200)
- Ideal for classroom and office



Cables can be simply hidden in the pole

