

PPF(-S)(-W)

Flush Ceiling Projector Mount

For Multimedia Projectors up to 50 lb (22 kg)



This flush projector mount virtually disappears behind the projector delivering a highly desirable low-profile installation. Designed with enhanced installation simplicity and speed, this out-of-the-box mounting solution enables fast and easy flush mount installations and accommodates virtually all projectors up to 50 lb (22 kg).



Max load: 50 lb (22 kg)

FEATURES

- Low-profile design for flush mount installations
- Cable management allows cables to be routed through projector mount out of sight
- Pre-assembled design reduces installation time
- Includes hardware for installation to a wood joist or concrete
- Spider® Universal Adapter Plate extends up to 17.63" (448 mm) to fit most projector models
- Specifications:
 - Tilt: +30°/-5°
 - Roll: ±20°
 - Swivel: ±20°



RoHS
2002/95/EC

PPF(-S)(-W) Flush Ceiling Projector Mount

Product Specifications

	DIMENSIONS (W x H x D) with adapter plate	PRODUCT WEIGHT	LOAD CAPACITY	FINISH	AVAILABLE COLORS
PPF(-S)(-W)	8.5-17.63" x 4.23-7.73" x 8.5-17.63" (216-448 x 107-196 x 216-448 mm)	3.08 lb (1.4 kg)	50 lb (22 kg)	Scratch resistant fused epoxy	PPF: Black PPF-S: Silver PPF-W: White

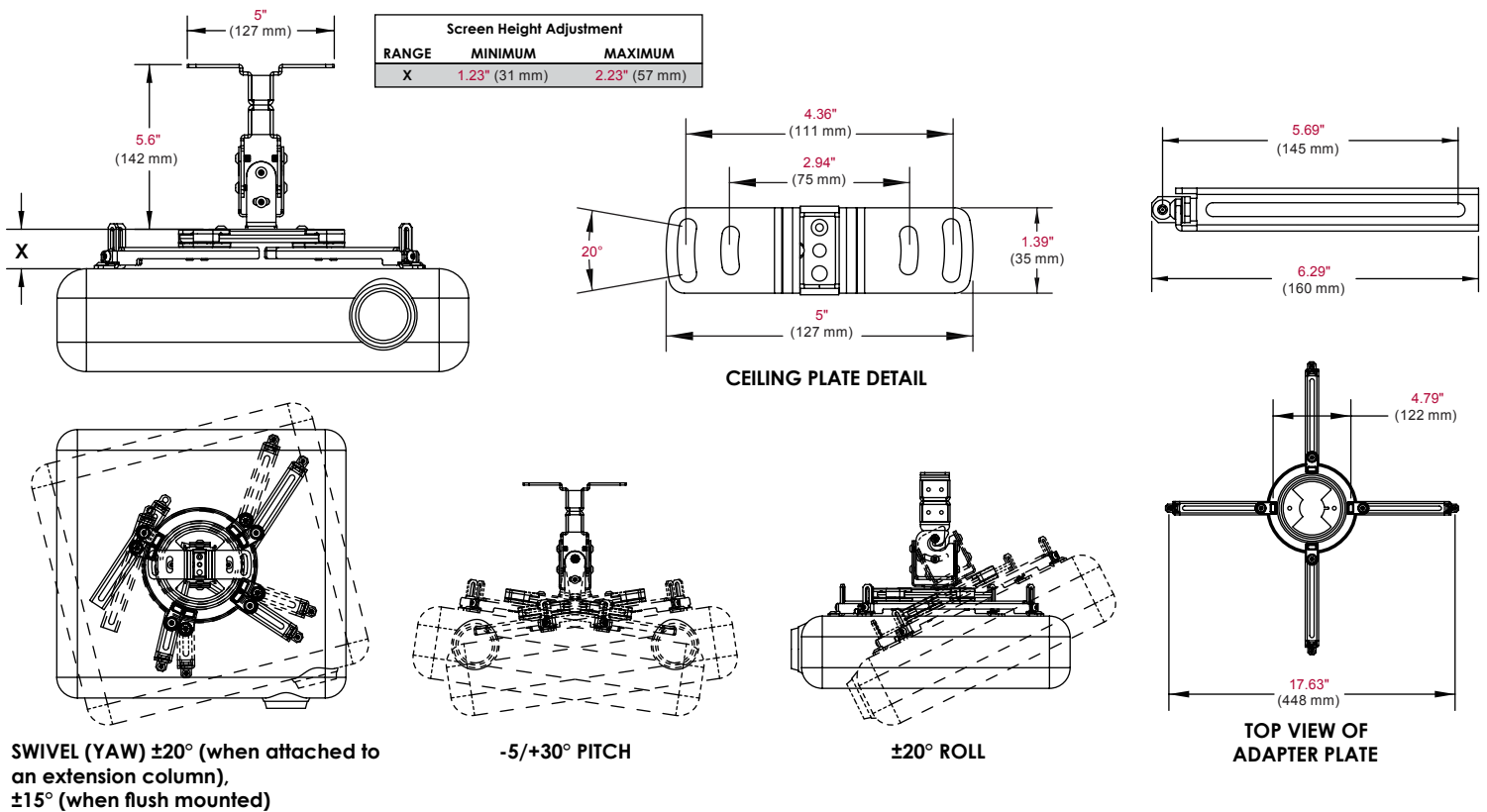
Package Specifications

	PACKAGE SIZE (W x H x D)	PACKAGE SHIP WEIGHT	PACKAGE UPC CODE	PACKAGE CONTENTS	UNITS IN PACKAGE
PPF(-S)(-W)	12.06" x 4.25" x 9.31" 306 x 108 x 236 mm	4.6lb (2.1 kg)	PPF: 735029255475 PPF-S: 735029258193 PPF-W: 735029258209	PPF Projector Mount, Spider® Universal Adapter Plate, mounting and projector attachment hardware, assembly instructions	1

Accessories

EXA/B/C: Extension Columns

All dimensions = inch (mm)



ARCHITECTS SPECIFICATIONS

The Flush Ceiling Projector Mount shall be Peerless models _____ and shall be located where indicated on the plans. It shall feature adjustable +30°/-5° tilt. It shall be constructed of heavy gauge cold rolled steel and finished with scratch resistant Black, Silver or White Fused Epoxy. Assembly and installation shall be done according to instructions provided by the manufacturer.